

Number 6 2003

Sidelifter Roll-over



Details

On 17 March 2003 a 40ft (12.192m) sealed shipping container weighing approximately 30 tonnes was being loaded by a 40ft Steelbro sidelifter with a gross lifting capacity of 30 tonnes. The stabiliser legs were lowered. There was a prime mover attached to the sidelifter standing on the concrete apron with the park brake on.

The container began to swing during loading, causing the sidelifter to roll over and the container to land on the opposite side from where it was lifted.

\$5,000 worth of damage was caused to the sidelifter and minor damage was caused to the shipping container and the prime mover. Fortunately no one was injured and no product was damaged.

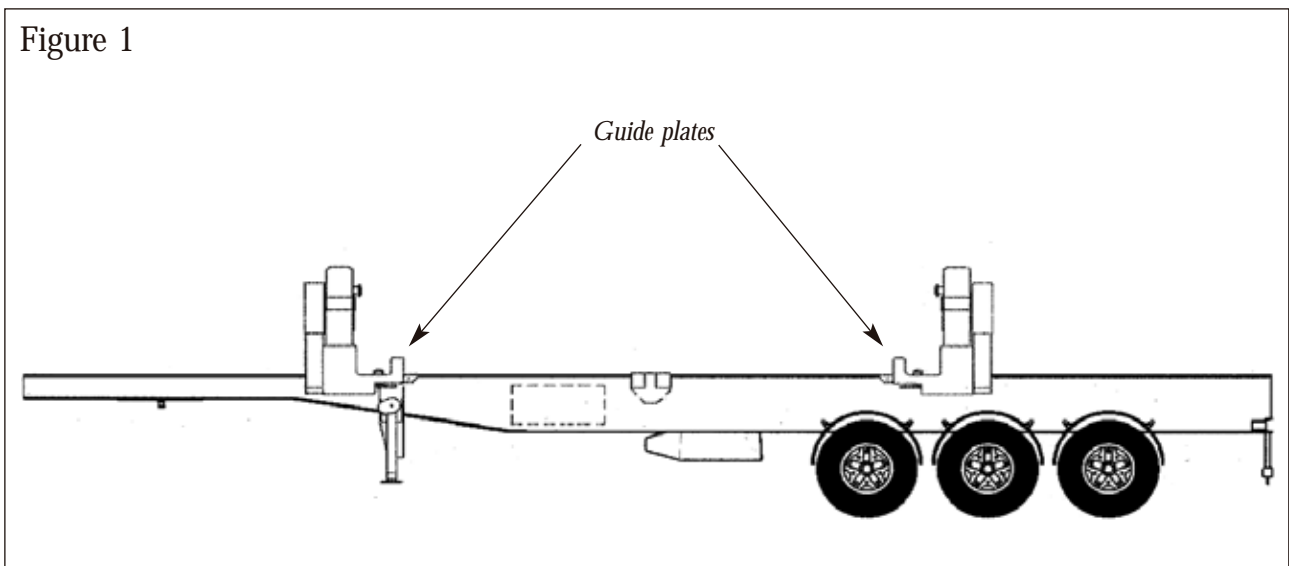
Contributing Factors

An investigation into this incident revealed that several factors contributed to the rollover:

- The operator had not received adequate training.
- The speed at which the lift was undertaken exceeded that which could be controlled by the operator.
- The guide plates, designed to be used to visually assist the operator in locating the container (see over for *Figure 1*), were absent. This may have contributed to the operator lifting the container past the twist locks.

see over...

Figure 1



Recommendations

Employers, owners and operators of sidelifers need to pay attention to the following recommendations:

- That equipment operators are trained and competent in the use of the equipment, site conditions and environment they will be required to work in.
- That limiting devices, valves and switches are all in place, fully operational and maintained.
- That guide plates are never removed.
- That the weight of each individual load is confirmed to ensure it is within the safe working load (SWL) of the equipment; and that when loaded, the gross mass of the vehicle is within the road transport limits.
- That the inspection of guide plates is included in routine equipment checklists.

If you would like further information contact Workplace Standards Tasmania on:
Telephone: **1300 366 322** (inside Tasmania) or (03) 6233 7657 (outside Tasmania)

Fax: (03) 6233 8338 Email: wstinfo@dier.tas.gov.au Internet: www.workplacesafe.tas.gov.au

Don Schofield
Chief Inspector of Industry
Workplace Standards Tasmania
September 2003