

INDUSTRIAL EQUIPMENT

requiring a

HIGH RISK WORK LICENCE



Please note

This information is for guidance only and is not to be taken as an expression of the law. It should be read in conjunction with the *Workplace Health and Safety Act 1995*, the *Workplace Health and Safety Regulations 1998* and any other relevant legislation. Copies of the legislation can be purchased from Print Applied Technology: call (03) 6233 3289 or freecall 1800 030 940. It is also available on the Internet at www.thelaw.tas.gov.au

This guide was produced by staff from WorkCover Tasmania and Workplace Standards Tasmania.

We welcome your feedback on this guide. Send to: wstinfo@justice.tas.gov.au

Acknowledgments

This guide uses information published by the Victorian WorkCover Authority. We thank the Victorian WorkCover Authority for their permission to use this information.

We also thank Easy Guides Australia Pty Ltd for use of illustrations on pages 17 and 20.

CONTENTS

INTRODUCTION 2

LICENCE CARDS ISSUED AFTER 17 OCTOBER 2007 3

APPLYING FOR A LICENCE 3

**TRANSITIONAL OR PHASED IN ARRANGEMENTS
FOR CERTIFICATES OF COMPETENCY ISSUED
BEFORE 17 OCTOBER 2007 4**

IMPORTANT 4

‘OLD STYLE’ TASMANIAN-ISSUED CERTIFICATES 4

INTERSTATE LICENSING AUTHORITIES 5

FOREST INDUSTRY-BASED LICENSING SCHEME 6

DRIVING FORKLIFT TRUCKS IN PUBLIC AREAS 6

LICENCE CLASSES AND CODES 7

INTRODUCTION

This guide provides:

- descriptions of the high risk work that requires a statutory licence (licence to perform high risk work)
- descriptions of the nationally-uniform licence classes issued in Tasmania
- details of the general circumstances where licences are not required
- information on transitional arrangements for holders of certificates of competency that were issued before 17 October 2007

Anyone performing high risk work referred to in Schedule 5 of the *Workplace Health and Safety Regulations 1998* (the Regulations) requires a licence.

These are national licences that are valid throughout all states and territories of Australia.

The Regulations require anyone engaged in scaffolding, rigging or dogging work, and anyone operating certain classes of cranes and hoists, boom-type elevating work platforms, mobile concrete placing booms, forklift trucks, order picking forklift trucks, boilers, turbines and reciprocating steam engines (as defined in this guide), to hold an appropriately endorsed licence to perform high risk work, an equivalent licence, or an equivalent (and current) certificate of competency.

Licences to perform high risk work were introduced in Tasmania on 17 October 2007. These licences were previously known as certificates of competency. If you hold a certificate of competency (either a national certificate of competency, or a state or territory issued 'old style' certificate), see *Transitional or phased in arrangements for certificates of competency issued before 17 October 2007* on page 4.

The requirements to hold a licence do not apply if you are doing:

- training under direct supervision by a person who holds the required licence or equivalent licence or certificate of competency
- an assessment of your competence to obtain a licence
- maintenance, testing or repair work if the equipment is not used or operated under normal operating conditions and the person in control is competent to do so
- work covered by an industry-based accreditation system approved by the Director of Industry Safety of Workplace Standards Tasmania, in accordance with regulation 44B(3)(d) of the Regulations.

'Equivalent licence' means a licence to perform high risk work issued by an interstate certifying authority (see pages 5).

'Equivalent certificate of competency' means:

- a national certificate of competency issued in Tasmania before 17 October 2007, or the previously issued 'old style' certificates issued in Tasmania by Workplace Standards Tasmania (previously 'the DLI') (see *Transitional or phased in arrangements for certificates of competency issued before 1 July 17 October 2007* on page 4)
- a certificate of competency, either a national plastic card or 'old style' certificate (usually issued in lightweight card board format), issued by an interstate certifying authority (see page 5).

LICENCE CARDS ISSUED AFTER 17 OCTOBER 2007

The new high risk work licence card, implemented in Tasmania on 17 October 2007, was introduced to align with national safety standards, improve interstate recognition of skills, and better protect against fraud by incorporating a photograph of the licence holder.

Licences are issued with an expiry date (issued for a period up to five years). When a licence card is issued with more than one licence class, the expiry date of the licence is determined from the date when the first class or classes was granted.



National certificates of competency cards or 'old style' certificates issued before 17 October do not have an expiry date or a photograph of the licence holder. These certificates will expire through transitional or phased in arrangements (see *Transitional or phased in arrangements for certificates of competency issued before 17 October 2007* on page 4).

APPLYING FOR A LICENCE

To be eligible to apply for a licence, you must:

- be at least 18 years of age at the time of assessment. However, training may begin at an earlier age
- demonstrate competency in the safe performance of high risk work under workplace conditions
- have obtained the required training, assessment, experience and qualifications (to the satisfaction of a registered assessor).

You can get information on how to apply for a licence by:

- going to www.wst.tas.gov.au/licensing
- calling a registered assessor. You can find a list of these by going to www.wst.tas.gov.au and searching for 'assessors'
- calling the Helpline on 1300 366 322.

Licence applications are made at any Service Tasmania outlet.

TRANSITIONAL OR PHASED IN ARRANGEMENTS FOR CERTIFICATES OF COMPETENCY ISSUED BEFORE 17 OCTOBER 2007

Transitional or phased in arrangements have been introduced for national certificates of competency and for 'old style' certificates of competency issued before 17 October 2007:

- Tasmania-issued 'old style' certificates expired at midnight on 30 June 2008
- national certificates issued before 31 Dec 1995 expired at midnight on 30 June 2008
- national certificates issued between 1 Jan 1996 and 31 Dec 1998 will expire at midnight on 30 June 2009
- national certificates issued between 1 Jan 1999 and 31 Dec 2001 will expire at midnight on 30 June 2010
- national certificates issued between 1 Jan 2002 and 31 Dec 2004 will expire at midnight on 30 June 2011
- national certificates issued between 1 Jan 2005 and 17 October 2007 will expire at midnight on 30 June 2012.

To find out how you can apply to transfer your certificate of competency to a national high risk work license, go to www.wst.tas.gov.au/licensing

If you hold an 'old style' certificate of competency issued in another state or territory, you should check with their licensing authority. See *Interstate licensing authorities* on page 5 for contact details.

IMPORTANT

If your certificate has expired, you must undergo a new assessment of your competence to continue to perform high risk work. Substantial fines apply to you and your employer if this is not done. To be assessed, contact a registered assessor; for more information go to www.wst.tas.gov.au and search for "registered assessors" or call the Helpline on 1300 366 322.

INTERSTATE LICENSING AUTHORITIES

All phone numbers given are for callers outside *that* state.

AUSTRALIAN CAPITAL TERRITORY

WorkCover
PO Box 224
Civic Square ACT 2608
phone: 02 6205 0200
fax: 02 6205 0336

NEW SOUTH WALES

WorkCover NSW
Locked Bag 2906
Lisarow NSW 2252
phone: 02 4321 5000
fax: 02 4325 4145

NORTHERN TERRITORY

NT WorkSafe
GPO Box 4821
Darwin NT 0801
phone: 1800 019 115
fax: 08 8999 5141

QUEENSLAND

Department of Employment
and Industrial Relations
PO Box 69
Brisbane QLD 4001
phone: 07 3225 2000
fax: 07 3225 1540

SOUTH AUSTRALIA

SafeWork SA
GPO Box 465
Adelaide SA 5001
phone: 08 8303 0400
fax: 08 8303 0277

VICTORIA

WorkSafe Victoria
GPO Box 4293
Melbourne VIC 3001
phone: 1300 852 562
fax: 1800 060 727

WESTERN AUSTRALIA

WorkSafe
PO Box 294
West Perth WA 6872
phone: 08 9327 8777

FOREST INDUSTRY-BASED LICENSING SCHEME

The Forest Operators Assessment and Licensing Scheme has been approved by the Director of Industry Safety under regulation 39(3)(d) of the Regulations as an industry-based accreditation scheme.

The scheme provides for:

- setting assessment standards
- issuing licences for different categories of operators of forest equipment
- accrediting trainers and assessors who train operators.

If you operate the following equipment and you are employed or engaged in forest industry activities, you must hold a certificate of competency issued by the Tasmanian Forest Industries Training Board:

- cable logger
- chainsaw
- dozer
- excavator
- Fulghum log handler
- grader
- loader
- mechanical harvester
- skidder
- traxcavator.

For more information call the Tasmanian Forest Industries Training Board Inc on 03 6331 6077.

DRIVING FORKLIFT TRUCKS IN PUBLIC AREAS

If you operate a forklift truck on any area open to the public (for example, any road, car park), then you must have a current Tasmanian driver's licence.

When you operate a forklift truck as part of a business or employment, you must also have a licence to perform high risk work (endorsed to operate a forklift truck); or current equivalent certificate of competency; see *Transitional or phased in arrangements for certificates of competency issued before 17 October 2007* on page 4; or be under the direct supervision of a certificate holder.

For more information, call the Registration and Licensing Branch of the Department of Infrastructure, Energy and Resources on 1300 135 513.

LICENCE CLASSES AND CODES

SCAFFOLDING, DOGGING AND RIGGING WORK (NATIONAL LICENCE)

LICENCE CLASS	CODE	PAGE
Basic scaffolding	SB	9
Intermediate scaffolding	SI	10
Advanced scaffolding	SA	11
Dogging	DG	12
Basic rigging	RB	13
Intermediate rigging	RI	14
Advanced rigging	RA	15

CRANES AND HOIST OPERATION (NATIONAL LICENCE)

LICENCE CLASS	CODE	PAGE
Tower crane	CT	16
Self-erecting tower crane	CS	16
Derrick crane	CD	16
Portal boom crane	CP	17
Bridge and gantry crane	CB	17
Vehicle loading crane	CV	17
Non-slewing mobile crane	CN	18
Slewing mobile crane (up to 20 tonnes)	C2	18
Slewing mobile crane (up to 60 tonnes)	C6	19
Slewing mobile crane (up to 100 tonnes)	C1	19
Slewing mobile crane (open/over 100 tonnes)	CO	19
Boom-type elevating work platform	WP	20
Materials hoist (cantilever platform)	HM	20
Hoist (personnel and material)	HP	21
Concrete placing boom	PB	21

PRESSURE EQUIPMENT OPERATION (NATIONAL LICENCE)

LICENCE CLASS	CODE	PAGE
Basic boiler	BB	22
Intermediate boiler	BI	22
Advanced boiler	BA	23
Turbine	TO	23
Reciprocating steam engine	ES	23

FORKLIFT TRUCK OPERATION (NATIONAL LICENCE)

LICENCE CLASS	CODE	PAGE
Forklift truck	LF	22
Order-picking forklift truck	LO	21

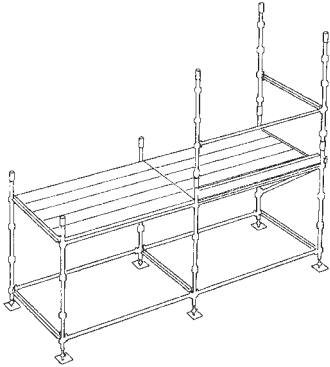
LOAD SHIFTING EQUIPMENT OPERATION

The following certificate classes maybe issued by some states or territories, but they are not issued in Tasmania.

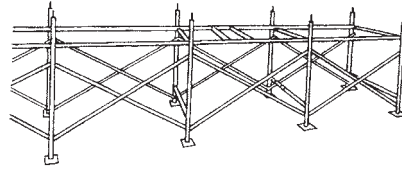
Cableway / flying fox	LC
Dozer	LZ
Dragline	LD
Excavator	LE
Front-end loader (skid steer types)	LS
Front-end loader / backhoe	LB
Front-end loader	LL

These classes are not included or are not deemed to be high risk work requiring a statutory licence.

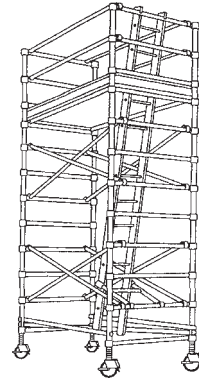
If you operate a cable logger, chainsaw, dozer, excavator, Fulghum log handler, grader, loader, mechanical harvesting, skidder and/or traxcavator, see *Forest industry-based licensing scheme* on page 6 for the industry-based licensing scheme approved in Tasmania for the forest industry.



Prefabricated scaffold (modular type)



Prefabricated scaffold (frame type)



Prefabricated Scaffold (tower frame type)

For the purposes of licensing, scaffolding is defined as erecting, altering or dismantling a temporary structure, specifically erected to support platforms.

The scope for this licence class is work associated with:

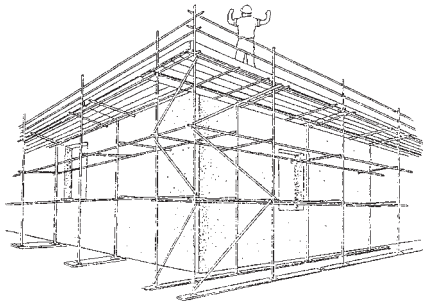
- prefabricated scaffolds
- cantilevered hoists with a working load limit not exceeding 500kg (materials only)*
- ropes
- gin wheels
- safety nets and static lines*
- bracket scaffolds (tank and formwork)

but excludes work involving:

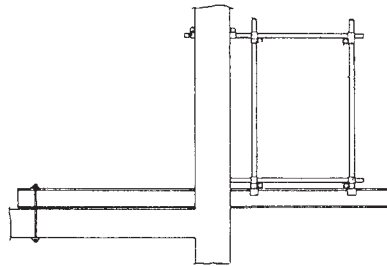
- cantilevered crane loading platforms
- cantilevered and spurred scaffolds
- barrow ramps and sloping platforms
- scaffolding associated with perimeter safety screens and shutters
- mast climbers
- tube-and-coupler scaffolds (including tube-and-coupler covered ways and gantries)
- hung scaffolds, including scaffolds hanging from tubes, wire ropes and chains
- suspended scaffolds.

*You can erect and dismantle cantilever platform hoists (materials only), safety nets and static lines if you hold the basic rigging licence or equivalent.

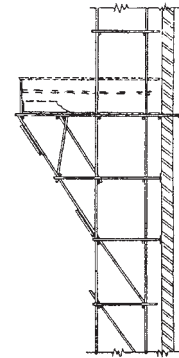
You do not require a licence if you are erecting, altering or dismantling a scaffold that an object or person could fall no more than four metres from.



Tube-and-coupler scaffold



Cantilevered scaffold



Spurred scaffold

For the purposes of licensing, scaffolding is defined as erecting, altering or dismantling a temporary structure, specifically erected to support platforms.

The scope for this licence class is work associated with:

- prefabricated scaffolds
- tube-and-coupler scaffolds including tube-and-coupler covered ways and gantries
- cantilevered hoists with a working load limit not exceeding 500 kg (materials only)
- ropes
- gin wheels
- safety nets and static lines
- bracket scaffolds (tank and formwork)
- cantilevered crane loading platforms *
- cantilevered and spurred scaffolds
- barrow ramps and sloping platforms
- scaffolding associated with perimeter safety screens and shutters
- mast climbers*

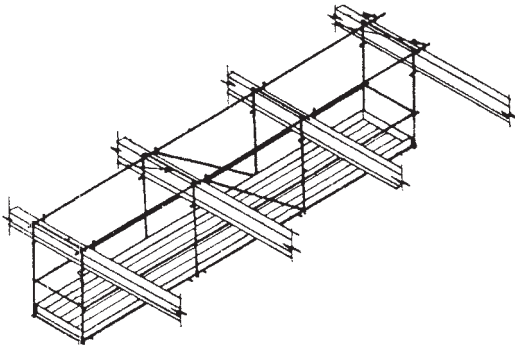
but excludes work involving:

- hung scaffolds, including scaffolds hanging from tubes, wire ropes and chains
- suspended scaffolds.

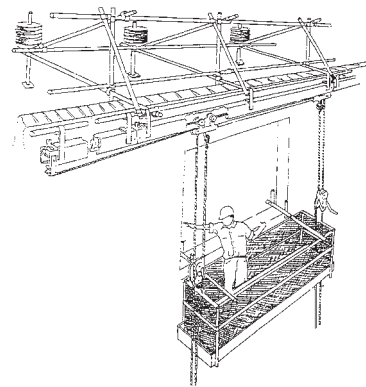
*You can erect and dismantle cantilevered crane loading bays and mast climbers if you hold the basic rigging licence or equivalent.

You do not require a licence if you are erecting, altering or dismantling a scaffold that an object or person could fall no more than four metres from.

This licence encompasses the requirements for the basic scaffolding licence.



Hung scaffold



Suspended scaffold (swing stage type)

For the purposes of licensing, scaffolding is defined as erecting, altering or dismantling a temporary structure, specifically erected to support platforms.

The scope for this licence class is work associated with:

- prefabricated scaffolds
- tube-and-coupler scaffolds including tube-and-coupler covered ways and gantries
- scaffolding associated with perimeter safety screens and shutters
- cantilevered hoists*
- ropes
- gin wheels
- safety nets and static lines
- bracket scaffolds (tank and formwork)
- cantilevered crane loading platforms
- cantilevered and spurred scaffolds
- barrow ramps and sloping platforms
- mast climbers
- hung scaffolds, including scaffolds hanging from tubes, wire ropes and chains**
- suspended scaffolds.***

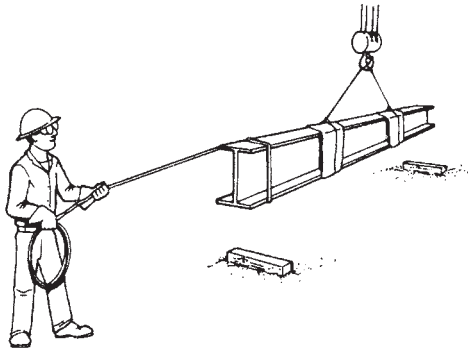
*You can erect and dismantle cantilevered hoists (no restrictions) if you hold the intermediate rigging licence or equivalent.

**You can erect and dismantle hung scaffolds that are fully fabricated if you hold the advanced rigging licence or equivalent.

***You can erect and dismantle suspended scaffolds if you hold the advanced rigging licence provided that, where the scaffold incorporated is a tube-and-coupler suspension rig, an intermediate scaffolding licence or equivalent is also held.

You do not require a licence if you are erecting, altering or dismantling a scaffold that an object or person could fall no more than four metres from.

This licence encompasses the requirements for the intermediate scaffolding licence.



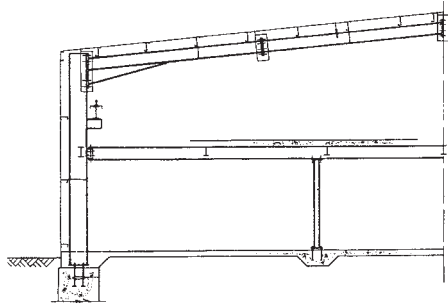
Dogging a load

For the purposes of licensing, dogging is defined as applying slinging techniques, including selecting and/or inspecting lifting gear, or directing a crane or hoist operator in the movement of the load when the load is out of view of the operator.

Slinging techniques means exercising judgement about the suitability and condition of lifting gear, and the method of slinging, by considering the nature of the load, its mass, and its centre of gravity.

You do not require a licence if you are slinging loads that don't involve slinging techniques.

You can carry out dogging work if you hold a basic, intermediate or advanced rigging licence or equivalent.



Steel erection

For the purposes of licensing, rigging is defined as work involving the use of mechanical load shifting equipment and associated gear to move, place or secure a load including plant, equipment or members of a building or structure and to ensure the stability of those members and for setting up and dismantling cranes and hoists.

The definition excludes work performed by operators or drivers of mechanical load shifting equipment, unless the work is part of the process of setting up or dismantling cranes and hoists.

The scope for this licence class is work associated with:

- moving plant and equipment
- steel erection
- particular hoists*
- placing pre-cast concrete
- safety nets and static lines**
- mast climbers***
- perimeter safety screens and shutters
- cantilevered crane loading platforms***

but excludes work involving:

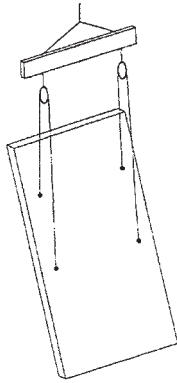
- using load equalising gear
- rigging cranes, conveyors, dredges and excavators
- tilt slabs
- all hoists with jibs and self-climbing hoists
- demolition
- dual lifts
- rigging gin poles and shear legs
- flying foxes and cable ways
- guyed derricks and structures
- suspended scaffolds and fabricated hung scaffolds.

*You can erect and dismantle cantilever platform hoists with a working load limit less than 500 kg (materials only) if you hold a basic scaffolding licence or equivalent.

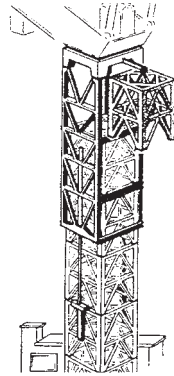
**You can erect and dismantle safety nets and static lines if you hold a basic scaffolding licence or equivalent.

***You can erect and dismantle cantilevered crane loading platforms and mast climbers if you hold an intermediate scaffolding licence or equivalent.

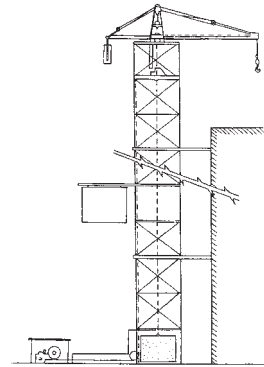
This licence encompasses the requirements for the dogging licence.



Tilt-slab with load equalising gear



Rigging of cranes (Tower crane type)



Typical hoist with jib

For the purposes of licensing, rigging is defined as work involving the use of mechanical load shifting equipment and associated gear to move, place or secure a load including plant, equipment or members of a building or structure and to ensure the stability of those members and for setting up and dismantling cranes and hoists.

The definition excludes work performed by operators or drivers of mechanical load shifting equipment, unless the work is part of the process of setting up or dismantling cranes and hoists.

The scope for this licence class is work associated with:

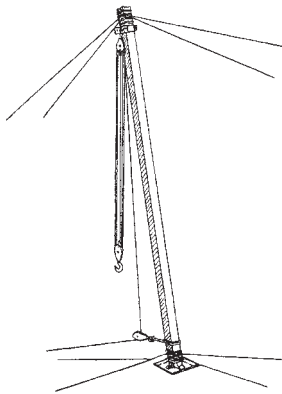
- moving plant and equipment
- steel erection
- all hoists
- placing pre-cast concrete
- safety nets and static lines
- mast climbers
- perimeter safety screens and shutters
- cantilevered crane loading platforms
- rigging cranes, conveyors, dredges and excavators*
- tilt slabs
- demolition
- dual lifts

but excludes work involving:

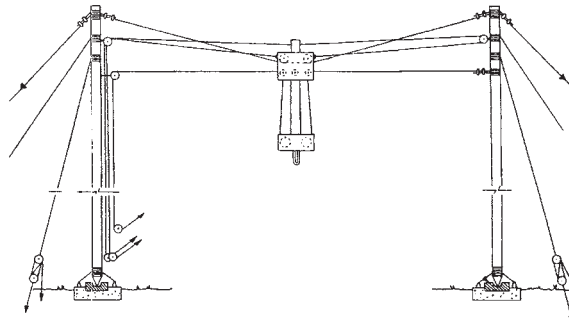
- rigging gin poles and shear legs
- flying foxes and cable ways
- guyed derricks and structures
- suspended scaffolds and fabricated hung scaffolds.

*You do not require a licence if you are positioning integral outriggers or stabilisers to set up a crane or hoist.

This licence encompasses the requirements for the basic rigging licence.



Typical gin pole



Typical flying fox

For the purposes of licensing, rigging is defined as work involving the use of mechanical load shifting equipment and associated gear to move, place or secure a load including plant, equipment or members of a building or structure and to ensure the stability of those members and for setting up and dismantling cranes and hoists.

The definition excludes work performed by operators or drivers of mechanical load shifting equipment, unless the work is part of the process of setting up or dismantling cranes and hoists.

The scope for this licence class is work associated with:

- moving plant and equipment
- steel erection
- all hoists
- placing pre-cast concrete
- safety nets and static lines
- mast climbers
- perimeter safety screens and shutters
- cantilevered crane loading platforms
- rigging cranes hoists, conveyors, dredges and excavators*
- tilt slabs
- demolition
- dual lifts
- rigging gin poles and shear legs
- flying foxes and cable ways
- guyed derricks and structures
- suspended scaffolds and fabricated hung scaffolds.**

*You do not require a licence if you are positioning integral outriggers or stabilisers to set up a crane or hoist.

**You can erect and dismantle suspended scaffolds and hung scaffolds if you hold an advanced scaffolding licence or equivalent.

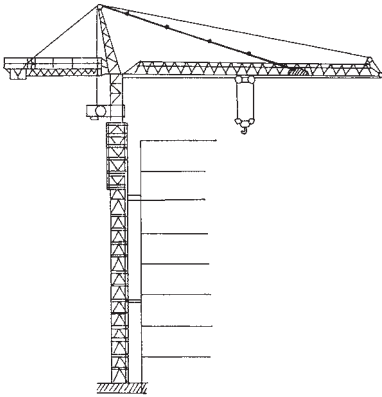
Hung scaffolds that are not fully fabricated are covered by the advanced scaffolding licence or equivalent.

You require the intermediate scaffolding licence or equivalent if you are erecting or dismantling tube-and-coupler suspension rigs for suspended scaffolds.

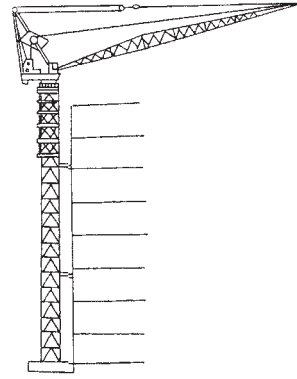
This licence encompasses the requirements for the intermediate rigging licence.

TOWER CRANE OPERATION LICENCE

CT



Tower crane (horizontal jib type)



Tower crane (luffing jib type)

The scope for this licence class covers the operation of all tower cranes.

A tower crane means a powered jib or boom crane mounted on a tower structure, demountable or permanent, including both horizontal and luffing jib types.

SELF-ERECTING TOWER CRANE OPERATION LICENCE

CS

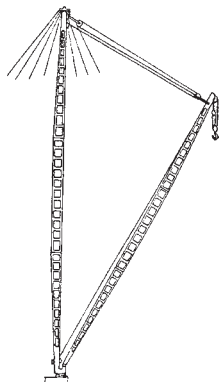


The scope for this licence class covers the operation of all self-erecting tower cranes.

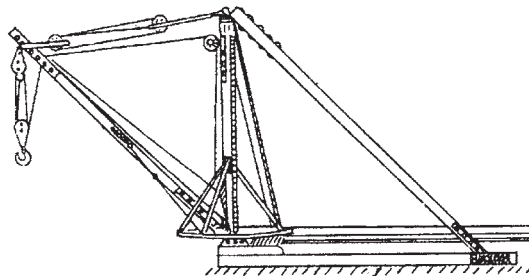
A self-erecting tower crane means a powered crane where the tower structure and boom / jib elements are not disassembled into component sections, which can be transported between sites as a complete unit, and where the erecting and dismantling processes are an inherent part of the crane's function.

DERRICK CRANE OPERATION LICENCE

CD



Derrick crane (guyed derrick)



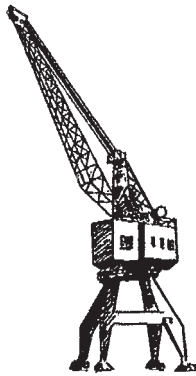
Derrick crane (stiff-leg derrick)

The scope for this licence class covers the operation of all derrick cranes.

A derrick crane means a powered slewing strut-boom crane with its boom pivoted at the base of the mast, that is either guyed (guyed-derrick) or held by backstays (stiff-leg derrick) and that is capable of luffing under load.

PORTAL BOOM CRANE OPERATION LICENCE

CP

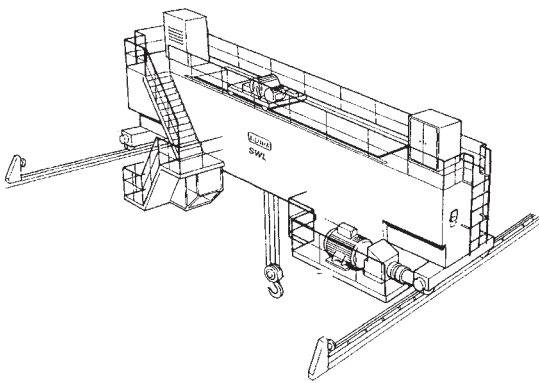


The scope for this licence class covers the operation of all portal boom cranes.

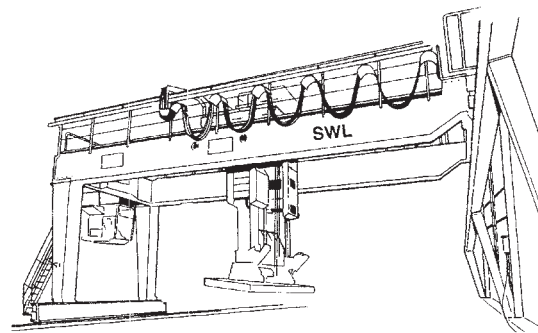
A portal boom crane means a powered boom crane or jib crane mounted on a portal frame that is supported on runways that the crane may travel along.

BRIDGE AND GANTRY CRANE OPERATION LICENCE

CB



Bridge crane



Gantry crane (semi-gantry type)

The scope for this licence class covers the operation of all bridge and gantry cranes.

A bridge crane means a powered crane comprising a bridge beam mounted at each end to a carriage, capable of travelling along elevated runways, and having one or more hoisting mechanisms arranged to travel across the bridge.

A gantry crane means a powered crane comprising a bridge beam, supported at each end by legs mounted on end carriages capable of travelling on supporting surfaces or deck levels, whether fixed or not, and which has a crab with one or more hoisting units arranged to travel across the bridge.

You do not require a licence if you are operating a bridge or gantry crane that is controlled from a location remote to a permanent cabin/control station on the crane (such as pendant control), and that has three or less powered operations (hoist raising and lowering is one operation).

VEHICLE LOADING CRANE OPERATION LICENCE

CV



The scope for this licence class covers the operation of all vehicle loading cranes.

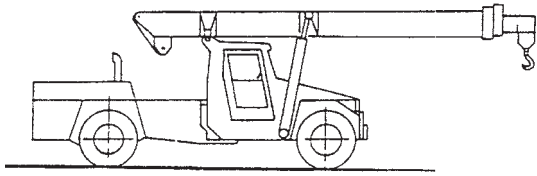
A vehicle loading crane means a powered crane mounted on a vehicle for the principal purpose of loading and unloading the vehicle.

You do not require a licence if you are operating a vehicle loading crane with a capacity of less than 10 metre tonnes.

You may also operate a vehicle loading crane if you hold a slewing mobile crane operation licence or equivalent.

NON-SLEWING MOBILE CRANE OPERATION LICENCE

CN



Non-slewing mobile crane
(includes lattice and hydraulic boom types)

The scope for this licence class covers the operation of all non-slewing mobile cranes.

A non-slewing mobile crane means a powered mobile crane that incorporates a boom or jib that is not capable of being slewed. It includes an articulated type mobile crane and a locomotive crane, but excludes a crane engaged in vehicle tow truck operation.

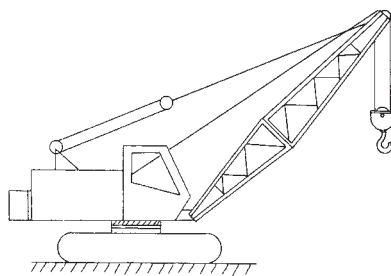
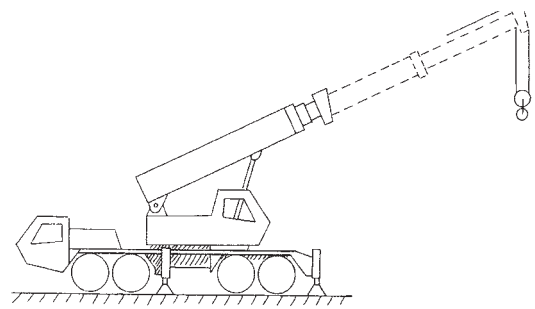
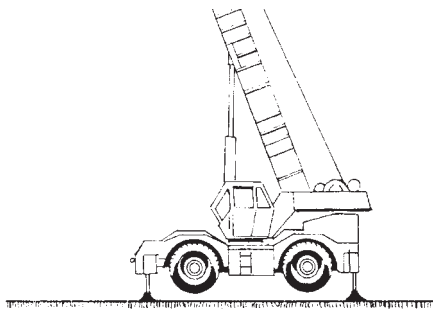
If you hold a slewing mobile crane operation licence or equivalent, you may also operate a non-slewing mobile crane.

You do not require a licence if you are operating a crane of a type that is only engaged in vehicle tow truck operation. However, you do require a licence should the crane be used for other lifting purposes.

You do *not* require a licence if you are operating a non-slewing mobile crane *with a capacity of three tonnes or less*.

SLEWING MOBILE CRANE OPERATION LICENCE (UP 20 TONNES)

C2



The scope for this licence class covers the operation of slewing mobile cranes with a capacity of 20 tonnes or less.

A slewing mobile crane means a powered mobile crane incorporating a boom or jib that is capable of being slewed. It excludes a front-end loader, a backhoe, an excavator or similar equipment when configured for crane operation.

This licence class encompasses the requirements for the non-slewing mobile crane operation licence and the vehicle loading crane operation licence.

SLEWING MOBILE CRANE OPERATION LICENCE (UP TO 60 TONNES) C6

The scope for this licence class covers the operation of slewing mobile cranes with a capacity of 60 tonnes or less.

A slewing mobile crane means a powered mobile crane incorporating a boom or jib that is capable of being slewed. It excludes a front-end loader, a backhoe, an excavator or similar equipment when configured for crane operation.

This licence class encompasses the requirements for the non-slewing mobile crane operation licence and the vehicle loading crane operation licence.

SLEWING MOBILE CRANE OPERATION LICENCE (UP TO 100 TONNES) C1

The scope for this licence class covers the operation of slewing mobile cranes with a capacity of 100 tonnes or less.

A slewing mobile crane means a powered mobile crane incorporating a boom or jib that is capable of being slewed. It excludes a front-end loader, a backhoe, an excavator or similar equipment when configured for crane operation.

This licence class encompasses the requirements for the non-slewing mobile crane operation licence and the vehicle loading crane operation licence.

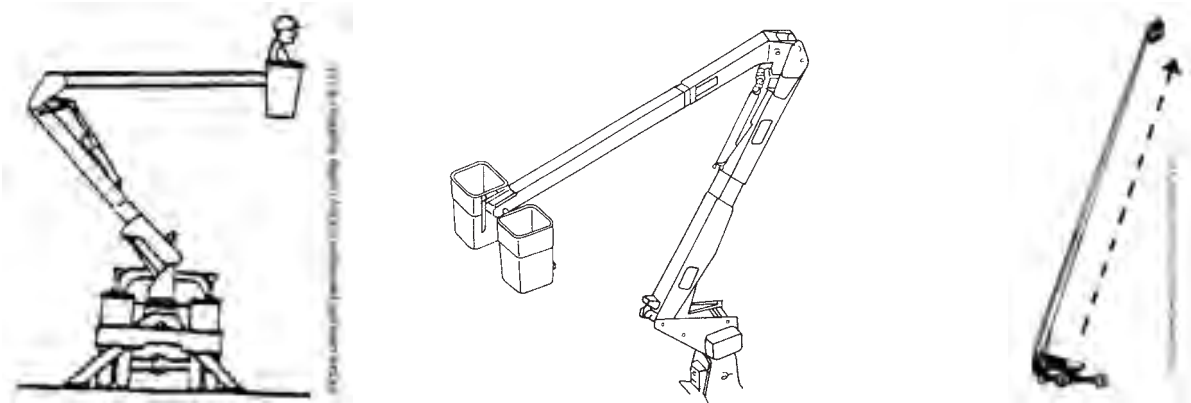
SLEWING MOBILE CRANE OPERATION LICENCE (OPEN/OVER 100 TONNES) C0

The scope for this licence class covers the operation of slewing mobile cranes of any capacity.

A slewing mobile crane means a powered mobile crane incorporating a boom or jib that is capable of being slewed. It excludes a front-end loader, a backhoe, an excavator or similar equipment when configured for crane operation.

This licence class encompasses the requirements for the non-slewing mobile crane operation licence and the vehicle loading crane operation licence.

BOOM-TYPE ELEVATING WORK PLATFORM OPERATION LICENCE WP



The scope for this licence class covers the operation of all boom-type elevating work platforms.

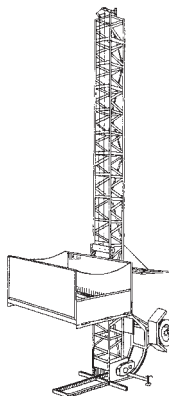
A boom-type elevating work platform means a powered telescoping device, hinged device or articulated device (or any combination of these used) to support a platform on which people, equipment and materials may be elevated to perform work; and which has a boom length of 11 metres or more.

You do not require a licence if you are operating a boom-type elevating work platform with a boom length less than 11 metres.

The 11 metre boom length means the greater of either:

- the vertical distance from the floor of the platform to the surface supporting the elevating work platform, with the platform at its maximum height, or
- the nominal reach, measured horizontally, from the centre point of rotation to the outer edge of the platform in its extended position.

MATERIALS HOIST (CANTILEVER PLATFORM) OPERATION LICENCE HM



Cantilevered platform materials hoist (barrow hoist)

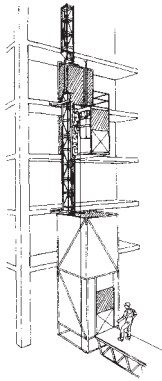
The scope for this licence class covers the operation of materials platform hoists.

A materials platform hoist means a powered builder's hoist by which only goods or materials (not people) may be hoisted; and where the car, bucket or platform is cantilevered from, and travels up and down externally to, a face of the supported structure.

Materials platform hoists may also be operated by anyone holding a hoist (personnel and materials) operation licence or equivalent.

HOIST (PERSONNEL AND MATERIALS) OPERATION LICENCE

HP



The scope for this licence class covers the operation of personnel and materials hoists.

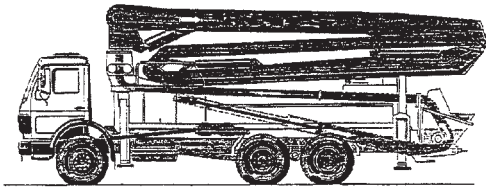
A personnel and materials hoist means a powered builder's hoist by which people, goods, and/or materials may be hoisted; which comprises a car, structure, machinery or other equipment associated with the hoist; and which may be either a cantilever hoist, a tower hoist or a multiple winch operation, including situations where winches may be configured to operate as hoists for transporting people.

It excludes a mast climber, building maintenance unit, suspended scaffold, jump form or slip form.

This licence encompasses the requirements for the materials hoist (cantilever platform) operation licence.

CONCRETE PLACING BOOM OPERATION LICENCE

PB



The scope for this licence class covers the operation of concrete placing booms.

A concrete placing boom means a powered mobile truck-mounted plant incorporating a knuckle boom, capable of power operated slewing and luffing to place concrete by way of pumping through a pipeline attached to, or forming part of, the boom of the plant.

ORDER-PICKING FORKLIFT TRUCK OPERATION LICENCE

LO



The scope for this licence class covers the operation of order-picking forklift trucks.

An order-picking forklift truck means a powered industrial truck of the type where the operator's control arrangement is incorporated with the load carriage or lifting media, and elevates with it.

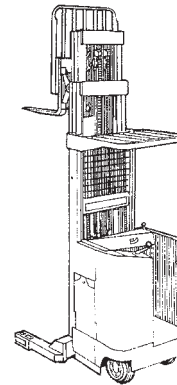
This licence does not cover the operation of ordinary, non order-picking forklift trucks.

FORKLIFT TRUCK OPERATION LICENCE

LF



Forklift truck (counter balanced type)



Forklift truck (non-counter balanced type)

The scope for this licence class covers the operation of forklift trucks.

A forklift truck means a powered industrial truck equipped with a mast and an elevating load carriage, to which is attached a pair of forkarms or other loadholding attachment.

This licence does not cover the operation of order-picking forklift trucks.

You do not require a licence if you are operating a pedestrian walk behind type forklift truck or pallet truck.

BASIC BOILER OPERATION LICENCE

BB



The scope for this licence class covers the operation of boilers with:

- single fixed combustion air supply
- non-modulating single heat source
- fixed firing rate.

If you are operating a boiler designed and operated in accordance with Australian Standard 2593–2004 *Boilers: safety management and supervision systems*, you do not require a licence for unattended operation.

INTERMEDIATE BOILER OPERATION LICENCE

BI

The scope for this licence class covers the operation of boilers with any or all of these features:

- modulating combustion air supply
- modulating heat source
- superheaters
- economisers.

If you are operating a boiler designed and operated in accordance with Australian Standard 2593–2004 *Boilers: safety management and supervision systems*, you do not require a licence for unattended operation.

ADVANCED BOILER OPERATION LICENCE

BA

The scope for this licence class covers the operation of boilers with the same features as intermediate boiler operation, with multiple fuel type, which may be fired simultaneously. This excludes boilers that change fuel type during start sequence.

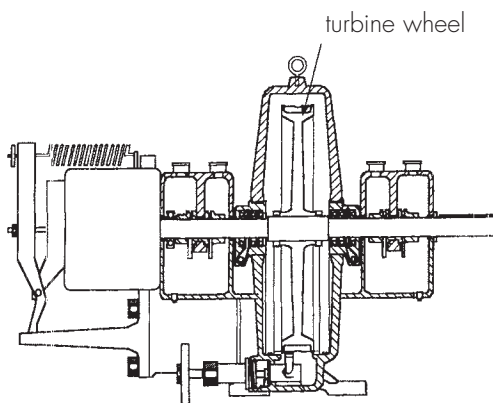
Multiple fuel type means a boiler which is fired using at least two of these fuel groups:

- gas
- liquid fuel, which includes oil or diesel fuel
- solid fuel, which includes coal (including pulverised coal), briquettes and coke, and wood (including wood chips)
- any other type of solid fuel.

If you are operating a boiler designed and operated in accordance with Australian Standard 2593—2004 *Boilers: safety management and supervision systems*, you do not require a licence for unattended operation.

TURBINE OPERATION LICENCE

TO



The scope for this licence class covers the operation of turbines with any or all of these features:

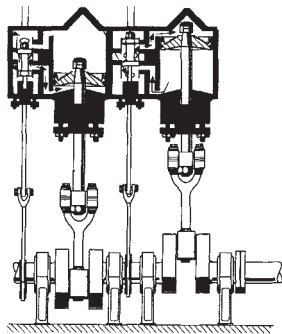
- attached condensers
- multi-wheeled
- a multi-stage heat exchange extraction process
- a speed of greater than 3600 rpm.

A turbine means equipment where steam acts on a turbine or rotor to cause a rotary motion.

You do not require a licence if you are operating steam or expansion turbines with a power output of less than 500 kW.

RECIPROCATING STEAM ENGINE OPERATION LICENCE

ES



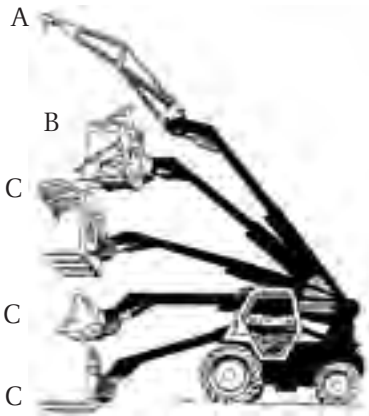
Prefabricated scaffold (modular type)

The scope for this licence class covers the operation of reciprocating steam engines.

A reciprocating steam engine means any steam plant where the steam acts upon a piston under pressure, where this action of the steam forces the piston to move.

You do not require a licence if you are operating a reciprocating steam engine with any piston diameter of 250 millimetres or less.

MULTI TOOL CARRIER



This includes mobile equipment featuring a boom or jib that various lifting attachments can be fitted to, such as a fly jib, fork arms, bale clamp or bucket. Mobile tool carriers can either be slewing or non-slewing.

If you operate a slewing type multi tool carrier, you require a licence (slewing mobile crane C2, C6, C1 or Co endorsement, depending on the rated capacity of the crane), when the multi tool carrier is fitted with a boom or jib and a hook block.

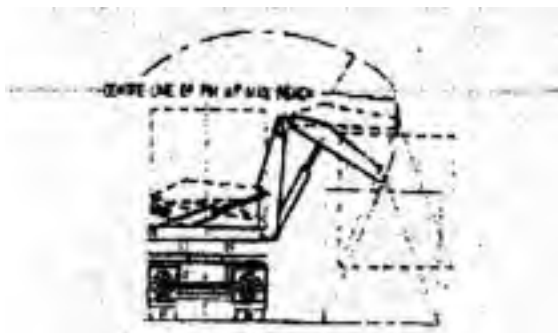
A: If you operate a non-slewing type multi tool carrier, you require a licence (non-slewing mobile crane CN endorsement), when the multi tool carrier is fitted with a

boom or jib and a hook block, and the safe working load exceeds three tonnes.

B: You require a licence (boom-type elevating work platform WP endorsement) when the multi tool carrier is fitted with a personnel work box attached directly to the main boom, and the personnel box can be extended 11 metres or more (see *Boom-type elevating work platform operation licence* on page 20).

C: You do not require a licence to operate a multi tool carrier when the carrier is only fitted and used with other attachments, such as a bucket, fork arms or bale clamp.

CONTAINER SIDE LIFTER



This includes mobile equipment featuring a boom or jib mounted on a vehicle without slewing capabilities used to lift and transport containers.

You do not require a licence to operate a container side lifter.

SCISSOR HOIST / LIFT



You do not require a licence to operate a scissor hoist / lift.

1300 366 322 www.workcover.tas.gov.au

For more information contact
Workplace Standards Tasmania
Phone: 1300 366 322 (within Tasmania)
(03) 6233 7657 (outside Tasmania)
Fax: (03) 6233 8338
Email: wstinfo@justice.tas.gov.au

ISBN: 978 1 876712 06 6